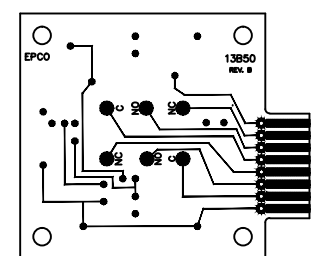


MICRO SWITCH 115/250 VAC 5 AMPS
28 VDC 5 AMPS

NOTE: WHEN CONNECTING WIRE HARNESS, ATTACH SO RED STRIPE IS FACING THE COVER. (NOT SHOWN)

LED VOLTAGES (CHECK ONE)	RESISTORS (INTERNAL)
125 VAC ONLY	47Ω 1 W 1μF @ 100V
48 VAC/VDC	220Ω 1W 560Ω 2W
24 VAC/VDC	100Ω 1W (x2)
12 VAC	100Ω 1W (x2)

5-pin Connection
Ref: DWG 12A83



NOTE: WHEN CONNECTING WIRE HARNESS, ATTACH SO RED STRIPE IS FACING THE COVER. (NOT SHOWN)

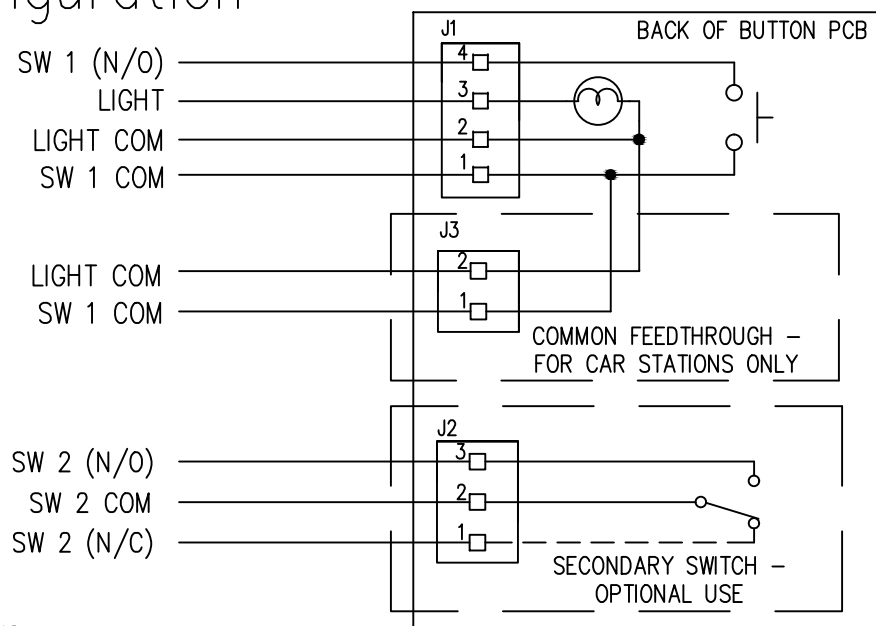
MICRO SWITCH ELECTRICAL RATING

125/240 VAC..... 10A RESISTIVE
30 VDC..... 4A RESISTIVE
3A INDUCTIVE

LED VOLTAGES (CHECK ONE)	RESISTORS (INTERNAL)
6 VAC/VDC	(2) 47 Ω 2-STRINGS
12 VAC/VDC	(2) 180 Ω 2-STRINGS
24 VAC/VDC	(2) 560 Ω 2-STRINGS
48 VAC/VDC	(2) 560 Ω 1-STRING
125 VAC	(2) 1.5 K 1-STRING
125 VDC	(2) 2.7 K 1-STRING

8-pin Connection
Ref: DWG 13A26

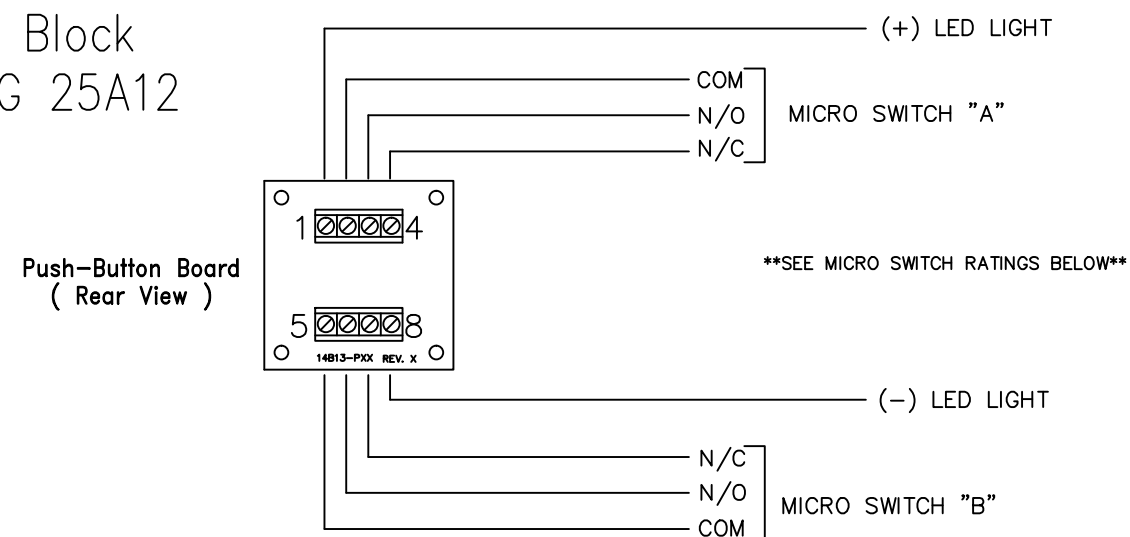
****Latest Configuration****



MICRO SWITCH ELECTRICAL RATING
125/240 VAC..... 10A RESISTIVE
30 VDC..... 4A RESISTIVE
3A INDUCTIVE

4-3-2 Style Connection
Ref: DWG 10M16

Terminal Block
Ref: DWG 25A12



LED VOLTAGES (CHECK ONE)	RESISTORS (INTERNAL)
24 VAC/VDC	(2) 560 Ω 2-STRINGS
48 VAC/VDC	(2) 560 Ω 1-STRING
125 VAC	(2) 1.5 K 1-STRING
125 VDC	(2) 2.7 K 1-STRING
6 VAC/VDC	(2) 43 Ω 2-STRINGS

MICRO SWITCH ELECTRICAL RATING
125/240 VAC..... 10A RESISTIVE
30 VDC..... 4A RESISTIVE
3A INDUCTIVE

EPCO Elevator Products Corporation
100 DEMAREST DRIVE, WAYNE NJ 07474 Tel: 973-341-8000 Fax: 973-341-8082

TOLERANCES DECIMAL ± 0.020 SHEAR ± 0.031	DRAWN BY: SB DATE: 05/07/2010 PAPER SIZE: B	CH'KD BY: CAD FILE: SCALE:
--	---	----------------------------------

TITLE: EPCO Universal Wiring Chart

DRAWING No. 10M83 SHEET 1 OF 2

OLD DRAWING No., SUPERSEDED (if applicable):

DATE	BY	REVISION	CHK	REV