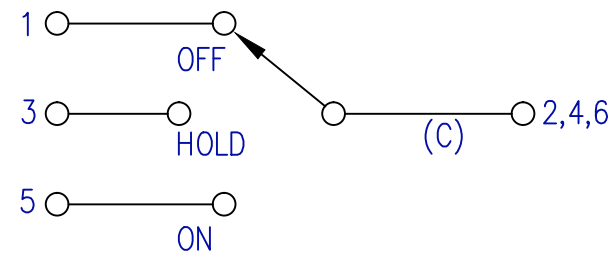


PART No.	PART DESCRIPTION	MATERIAL	SIZE	REMARKS
P01	US9319 & US9322 FIRE PHASE II	WHITE VINYL	2.50"W x 1.50"H	BLACK ENGRAVING
P02	US9344 FIRE PHASE II, OLD CODE	WHITE VINYL	2.50"W x 1.50"H	BLACK ENGRAVING
P03	US9305 & US9320 FIRE PHASE I	WHITE VINYL	2.50"W x 1.50"H	BLACK ENGRAVING

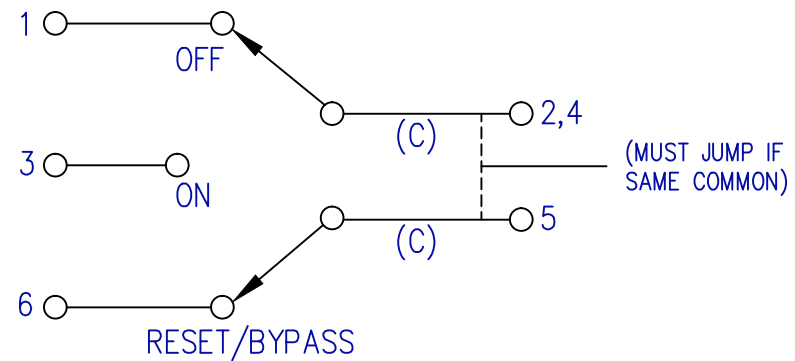
### US9319 & US9322



FIRE PHASE II

(P01)

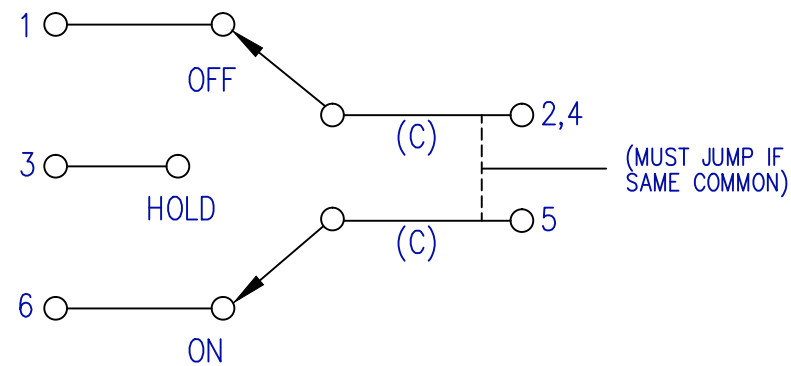
### US9305 & US9320



FIRE PHASE I

(P03)

### US9344



FIRE PHASE II, Old Code

(P02)

NOTE: SWITCHES ARE FACTORY BUILT WITH INTERNAL AND EXTERNAL JUMPERS e.g. 2, 4, 6 ARE ALREADY JUMPED AT THE FACTORY

<b>Elevator Products Corporation</b> 100 DEMAREST DRIVE, WAYNE NJ 07474 Tel: 973-341-8000 Fax: 973-341-8082		
TOLERANCES	DRAWN BY: HS	CH'KD BY:
DECIMAL ±	DATE: 08/18/09	CAD FILE: 20A33
SHEAR ±	PAPER SIZE: B	SCALE: NTS

TITLE: PHASE I & II FIRE KEY SW. K&N		
DRAWING No. 20A33	SHEET 1 OF 1	REV A
OLD DRAWING No., SUPERSEDED (if applicable):		

10-17-12	A	ADDED DRAWING NUMBER	VP
DATE	SYM	REVISION	BY CK

This drawing as well as the subject matter of the design thereon are the exclusive property of Elevator Products Corporation and are to be treated by you as confidential proprietary information. Neither this drawing nor the subject matter of the design thereon shall be duplicated or disclosed by you without the express written consent of Elevator Products Corporation.