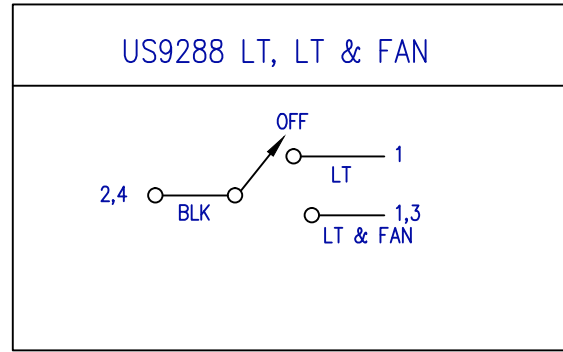
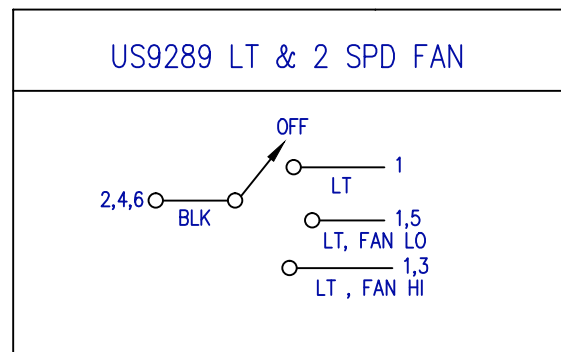


NOTE: SWITCHES ARE FACTORY BUILT WITH INTERNAL AND EXTERNAL JUMPERS e.g. 2, 4 ARE ALREADY JUMPED AT THE FACTORY

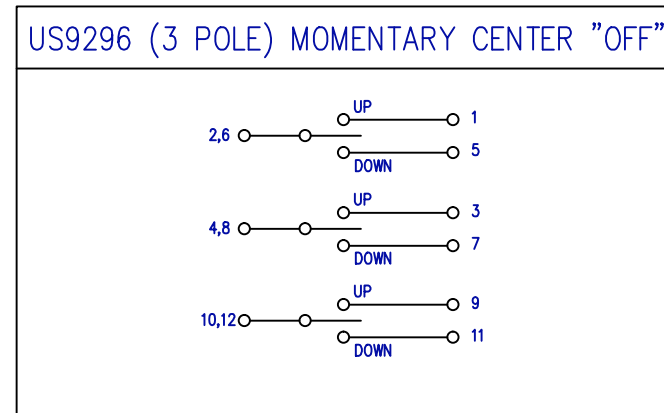
PART No.	PART DESCRIPTION	MATERIAL	SIZE	REMARKS
P01	US9288 LIGHT, LIGHT and FAN LABEL	WHITE VINYL	2.50"W x 1.50"H	BLACK ENGRAVING
P02	US9289 LIGHT & 2 SPD FAN LABEL	WHITE VINYL	2.50"W x 1.50"H	BLACK ENGRAVING
P03	US9290 2 SPEED FAN LABEL	WHITE VINYL	2.50"W x 1.50"H	BLACK ENGRAVING
P04	US9291 3 SPEED FAN LABEL	WHITE VINYL	2.50"W x 1.50"H	BLACK ENGRAVING
P05	US9293 SPDT & US9299 SPDT MOMENTARY	WHITE VINYL	2.50"W x 1.50"H	BLACK ENGRAVING
P06	US9327 & US 9294 DPDT, US9300 DPDT MOMENTARY	WHITE VINYL	2.50"W x 1.50"H	BLACK ENGRAVING
P07	US9296 3 POLE MOMENTARY CENTER "OFF"	WHITE VINYL	2.50"W x 1.50"H	BLACK ENGRAVING
P08	US9295 3PDT	WHITE VINYL	2.50"W x 1.50"H	BLACK ENGRAVING



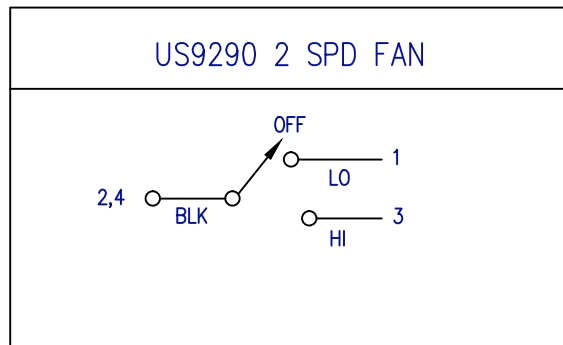
P01



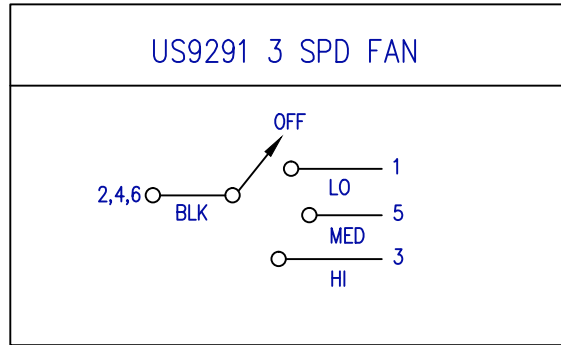
P02



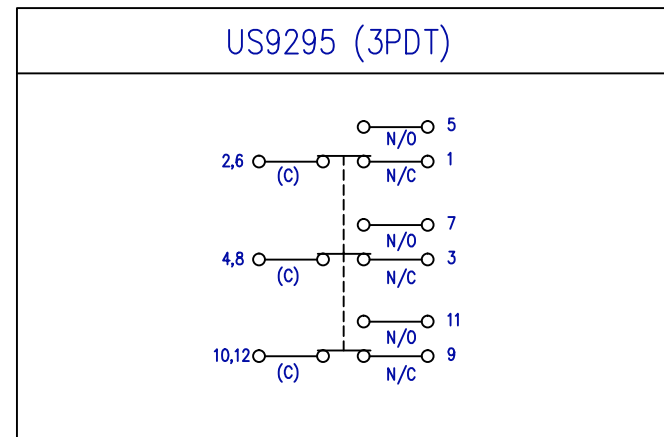
P07



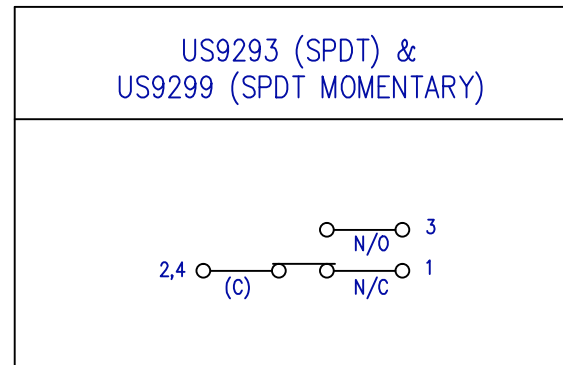
P03



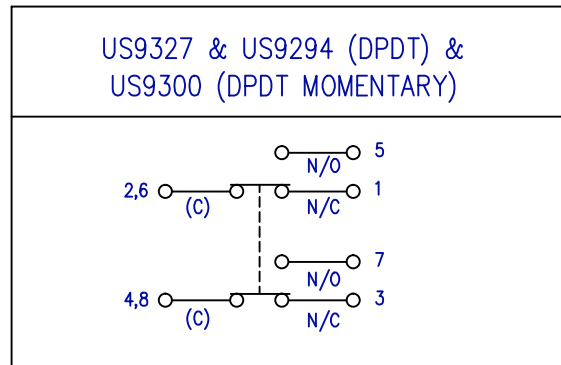
P04



P08



P05



P06

**Elevator Products Corporation**  
 100 DEMAREST DRIVE, WAYNE NJ 07474 Tel: 973-341-8000 Fax: 973-341-8082

TOLERANCES	DRAWN BY: HS	CH'KD BY:
DECIMAL ±	DATE: 08/18/09	CAD FILE: 20A34
SHEAR ±	PAPER SIZE: B	SCALE: NTS

TITLE: MULTI PURPOSE DPDT & 3PDT		
DRAWING No. 20A34	SHEET 1 OF 1	REV A
OLD DRAWING No., SUPERSEDED (if applicable):		

DATE	SYM	REVISION	BY	CK
10-17-12	A	ADDED DRAWING NUMBER	VP	

This drawing as well as the subject matter of the design thereon are the exclusive property of Elevator Products Corporation and are to be treated by you as confidential proprietary information. Neither this drawing nor the subject matter of the design thereon shall be duplicated or disclosed by you without the express written consent of Elevator Products Corporation.